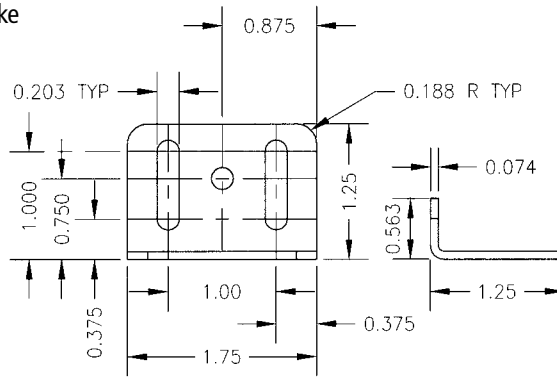


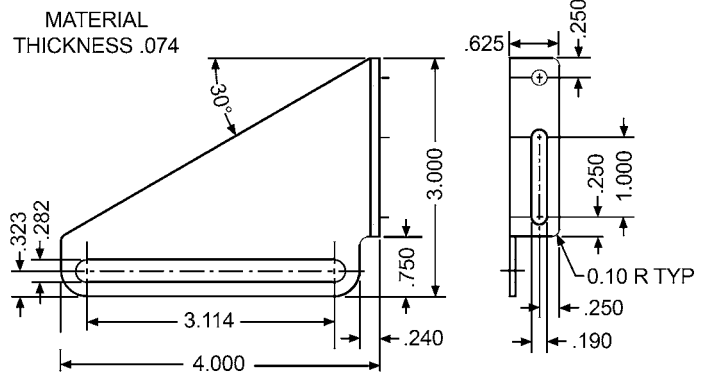
12-2 Heavy duty angle strike
Finish 26D



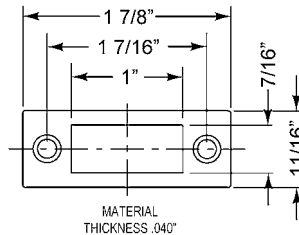
12-4-ZP Frameless drawer strike
Finish Zinc plated



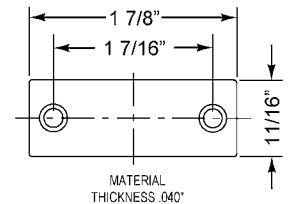
Provides a locking point when there is no frame between drawers. Can be mounted on left or right side of cabinet frame.



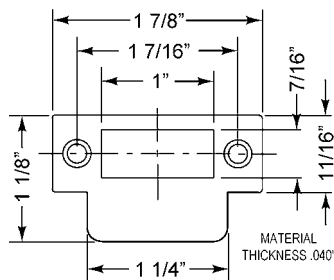
725-SP-MD Slotted strike
Use with 725 mortise deadbolt
Finish US3 or (SS) Stainless Steel



725-SP-RD Solid strike
Use with 725/CR1125 rim deadbolt
Finish US3 or (SS) Stainless Steel



725-SP-ML Slotted lip strike
Use with 725 mortise latch
Finish US3 or (SS) Stainless Steel



725-SP-RL Solid lip strike
Use with 725/CR1125 rim latch
Finish US3 or (SS) Stainless Steel

